

3-way, pilot-operated, normally open valve
2 delivery ports
Chassis-mounted on heavy-duty highway vehicles with air-ride suspensions

Technical data

Rated PSI:

90 to 120 psi
6.4 to 8.5 bar

Port size:

1/8"-27

Thread Type:

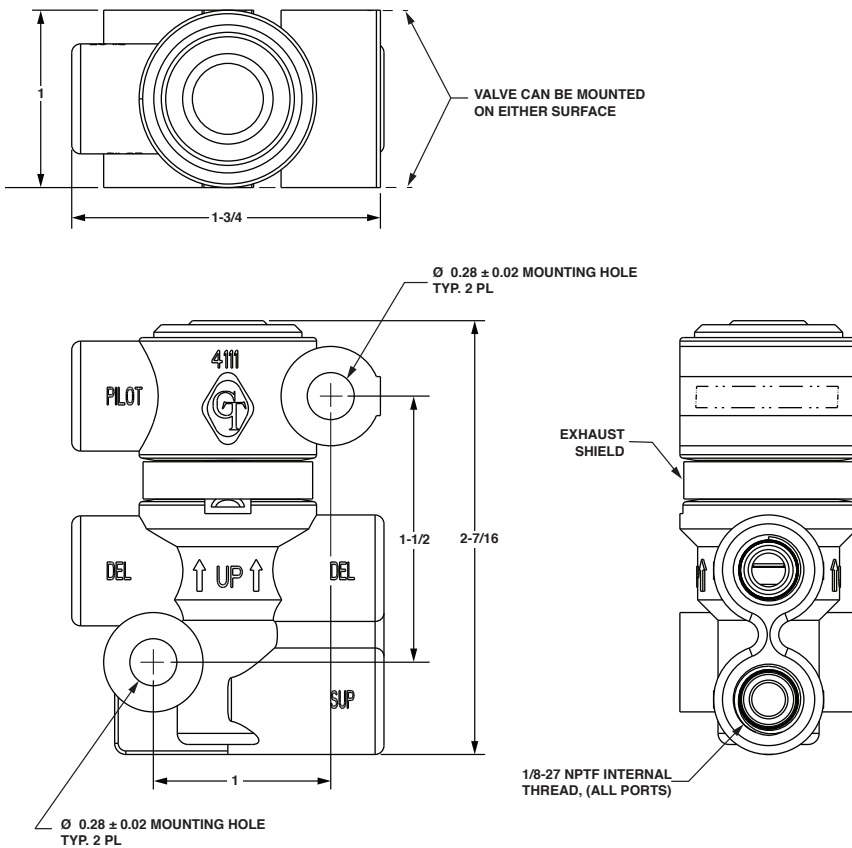
PTF

Material:

Die cast Zinc



Dimensions (Inches)



Models

Model	Port Size
4111-2 ●	1/8" PTF

- In stock
- ◆ Please call 1.800.710.7823 for availability